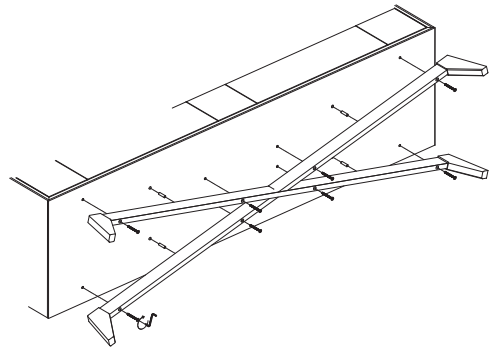


# MUREAN® Vino Cinema - QUICK START GUIDE

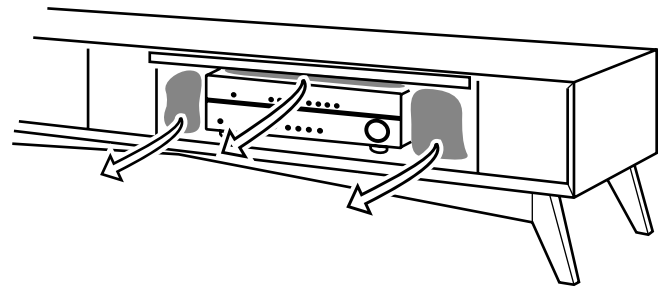
- 1) Fasten the legs following separate instructions
- 2) Remove the packaging material around the Yamaha AV-receiver (3 x airbag).
- 3) Connect the TV-stand and the TV with HDMI-cable. Use the HDMI (ARC) port.
- 4) Connect the TV power cord to the Cinema extension cord (inside behind the tv-stand)
- 5) Plug in the Cinema power cord to power outlet.

Vino Cinema is ready to be used. Make sure the AV-reciever starts up automatically. Test the volume control using the TV-remote.

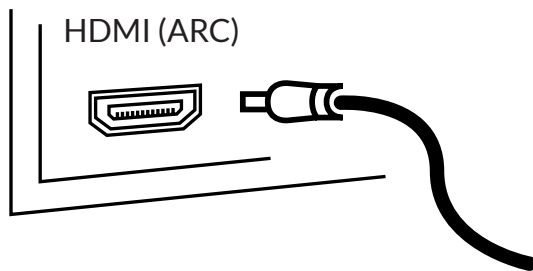
1)



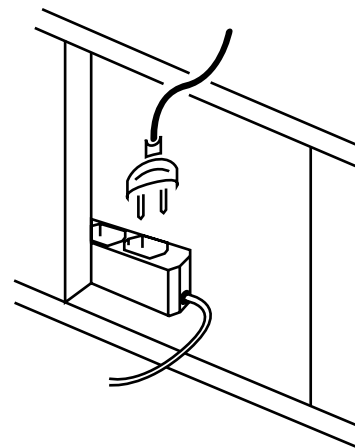
2)



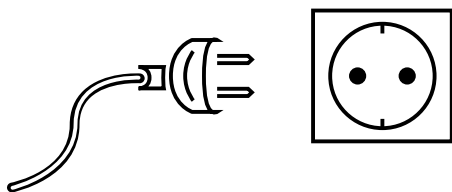
3)



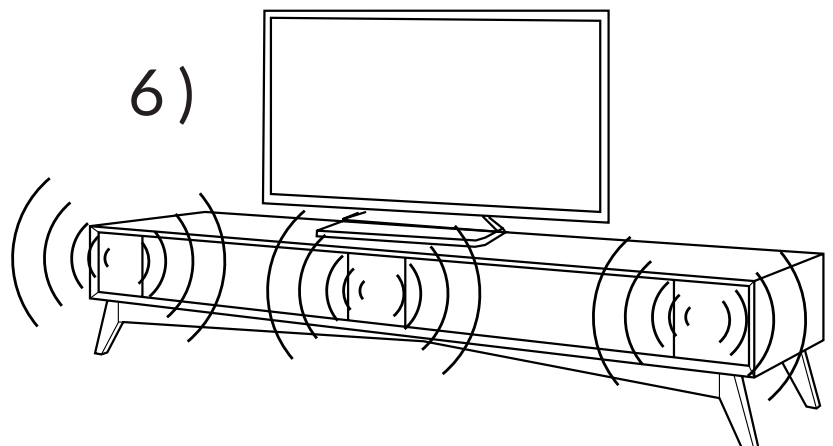
4)



5)

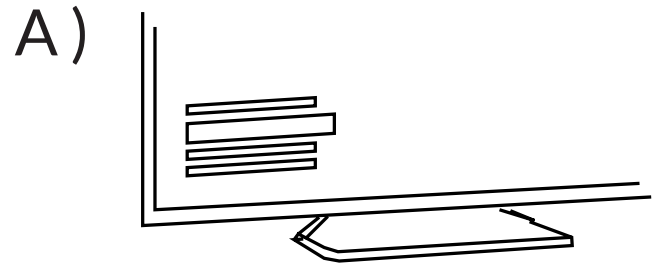


6)

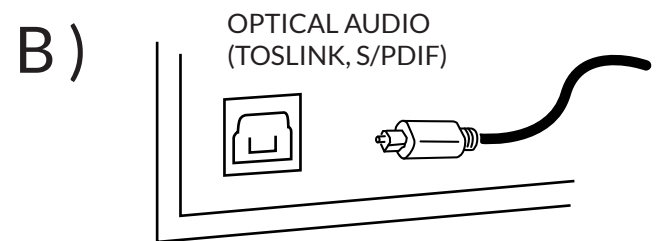


## OPTIONAL

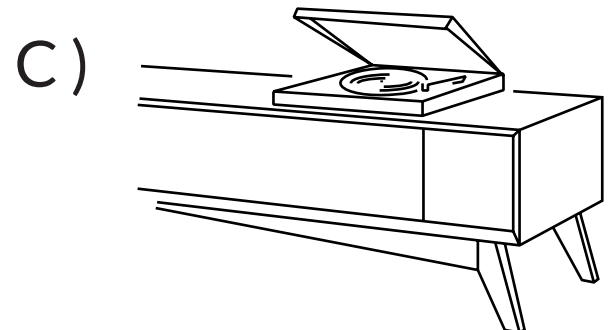
A) If the TV does not connect to the Cinema automatically, switch to the "HOME THEATER" from the tv settings. Make sure Yamaha AV-receiver uses "CINEMA" -input.



B) If the TV does not support the HDMI ARC (CEC) -standard, connect Cinema to TV with optical audio cable (S/PDIF). Make sure Yamaha AV-receiver uses "CINEMA" -input.



C) If separate audio source is to be used, connect player to the Yamaha AV-receiver and make sure the receiver is switched to "AUX" input.



D) To pair the Yamaha av-receiver and a Bluetooth device, hold down "Memory"-button for three seconds. More information on a Yamaha-manual.

- Package contains: Vino Cinema TV-stand, Yamaha -RX-V381 -AV-receiver, power cable, HDMI-cable and Optical-cable.
- Peripherals, such as set-top box, should be connected to the TV by default.
- Volume levels are set to default. Levels and delays can be adjusted from the Yamaha receiver.
- Vino Cinema features acoustic fabrics attached with magnets. Line up the fabrics if they have shifted during the transportation.
- More information and support can be found online: [www.murean.fi/support](http://www.murean.fi/support)
- Notable! Warranty void if the product is opened (excluding the front door of the right side)