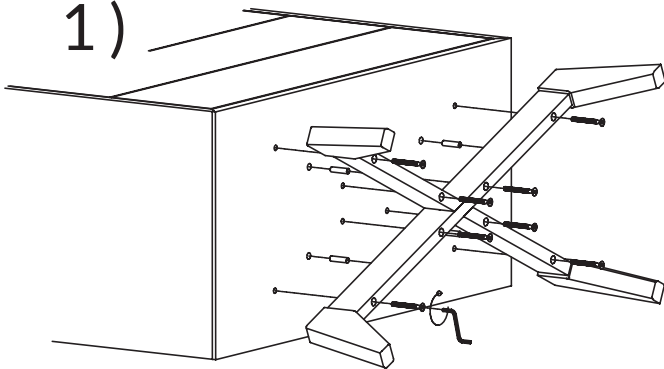
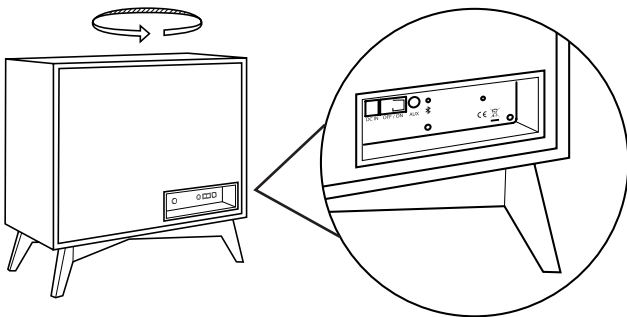


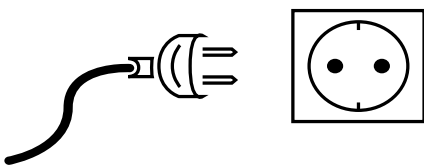
1)



- 1) Fasten the legs following the separate instructions.
- 2) Plug the power supply in to the drawer and to the power socket.
- 3) Turn the power switch on.
- 4) Drawer functions as a Bluetooth speaker titled MUREAN. Pair the Drawer and your smart device according to the smart devices' manual.
- 5) Vino Drawer is ready.



- A) In order to use a separate audio source (for example Google Chromecast Audio),
- Connect the player to the AUX with the 3.5 mm plug.
 - Switch connection method to audio pushing selection button.



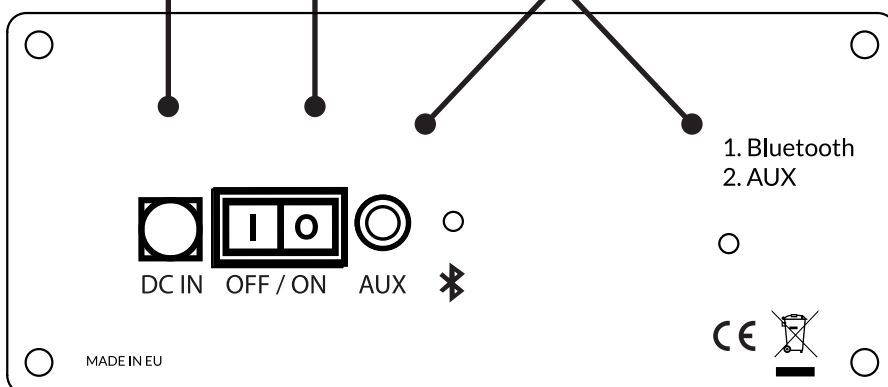
Additional information and user support can be found online:

www.murean.fi/support

2)

3)

A)



4)



5)

