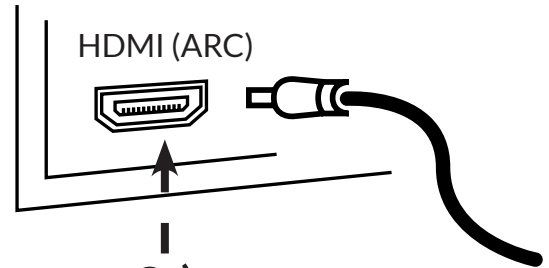
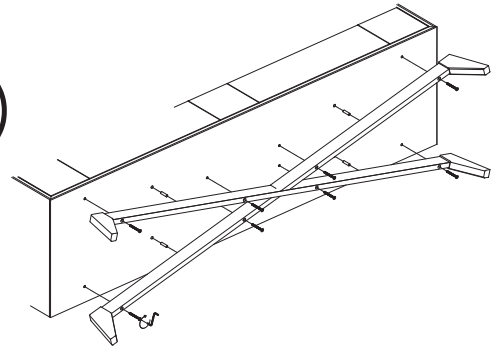


MUREAN[®]

- 1) Fasten the legs following separate instructions
- 2) Connect the TV-stand and the TV with HDMI-cable. Use the HDMI (ARC) port.
- 3) Plug the TV power cord in to the TV-stands power out.
- 4) Connect the Vino Stereo with a power cord.

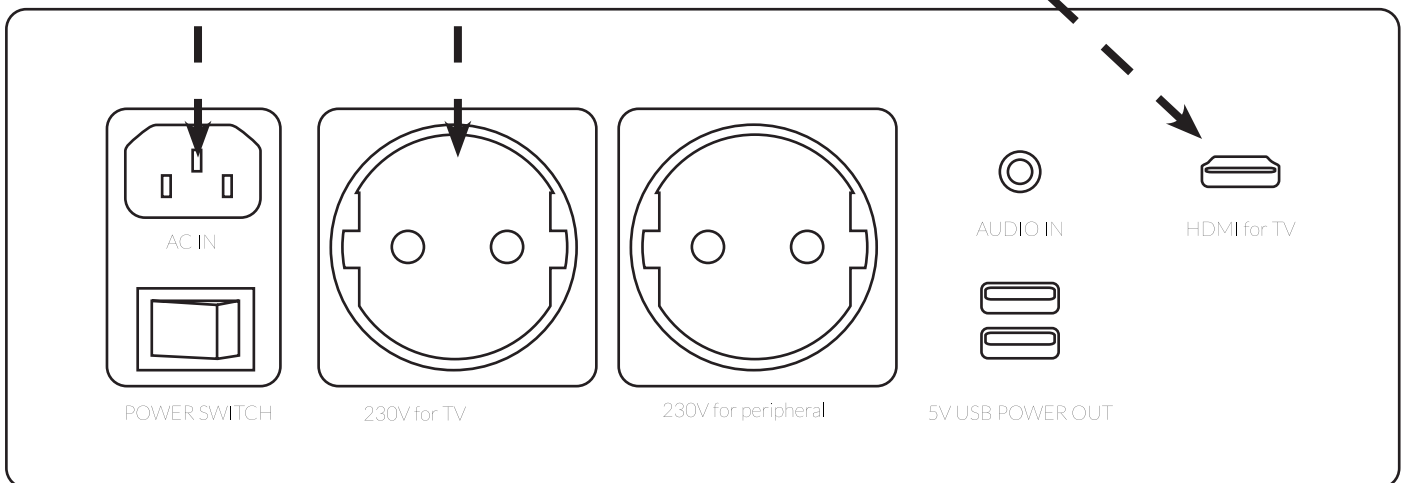
1)



2)

4)

3)

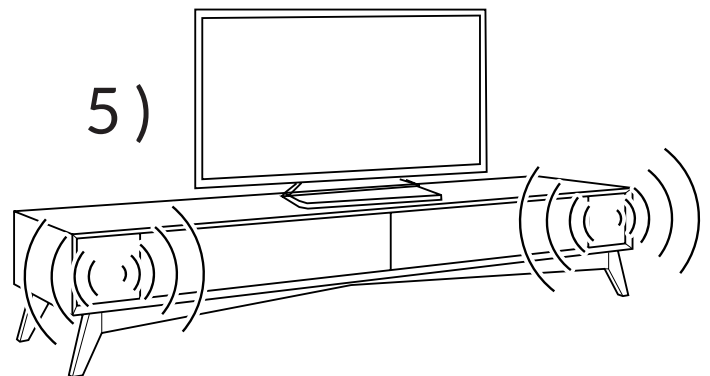


- 5) Vino Stereo is ready. Test the volume control using the TV-remote.
- 6) If the TV doesn't connect to the Vino Stereo automatically, select home theater setting from the TV-settings.

Settings for the TV according to the brand can be found online:

www.murean.fi/support

5)



6)

